



































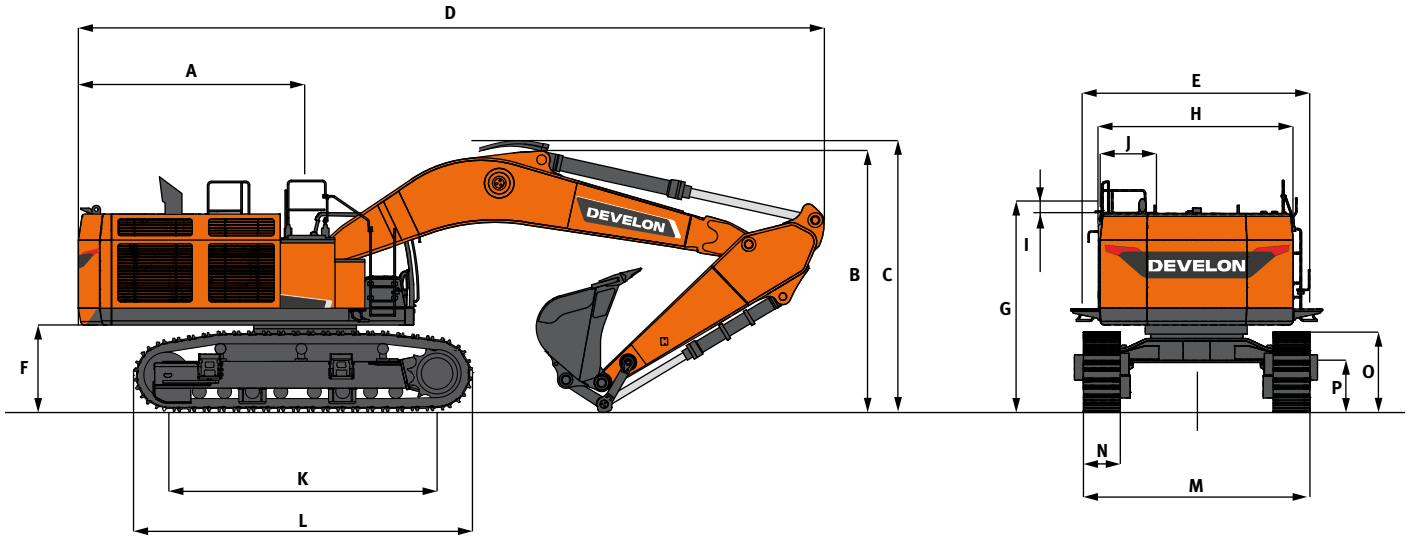








# DIMENSIONS



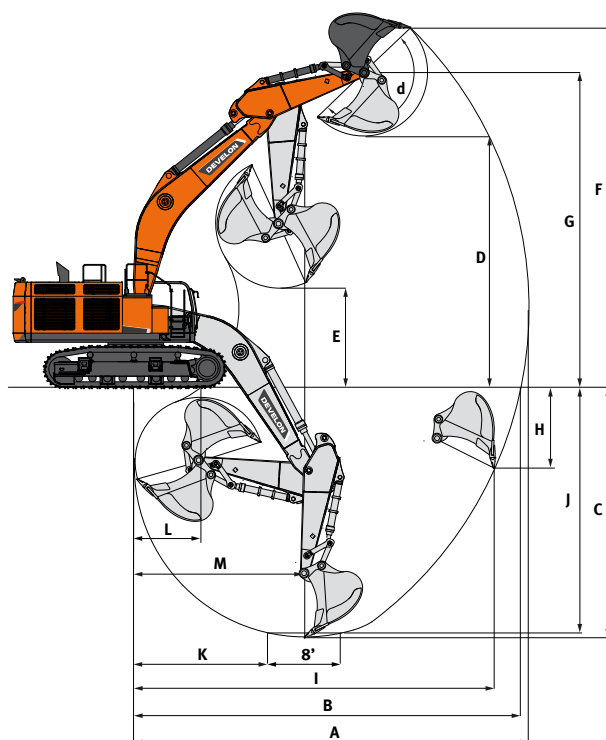
## DIMENSIONS

	Unit	One-piece boom			
		7700		6650	
<b>Boom length</b>	<b>mm</b>				
<b>Arm length</b>	<b>mm</b>	<b>3550</b>	<b>2900</b>	<b>2900</b>	<b>2600</b>
<b>Bucket capacity (SAE)</b>	<b>m<sup>3</sup></b>	<b>3.42</b>	<b>4.05</b>	<b>4.43</b>	<b>4.43</b>
A Tail swing radius	mm	4010	4010	4010	4010
B Shipping height (boom)	mm	4615	4420	4905	4760
C Shipping height (hose)	mm	4865	4690	5125	4990
D Shipping length	mm	13165	13370	12320	12370
E Shipping width	mm	3560	3560	3560	3560
F Counterweight clearance	mm	1540	1540	1540	1540
G Height over cab	mm	3530	3530	3530	3530
H House width	mm	3410	3410	3410	3410
I Cab height above house	mm	25	25	25	25
J Cab width	mm	1010	1010	1010	1010
K Tumbler distance	mm	4730	4730	4730	4730
L Track length	mm	5960	5960	5960	5960
M Undercarriage width*	mm	3400/4000	3400/4000	3400/4000	3400/4000
N Shoe width	mm	650	650	650	650
O Track height**	mm	1315	1315	1315	1315
P Ground clearance	mm	850	850	850	850

\* retracted / extended

\*\* without grouser

# WORKING RANGE



## WORKING RANGE

	Unit	One-piece boom			
	mm	7700		6650	
<b>Boom length</b>	mm				
<b>Arm length</b>	mm	<b>3550</b>	<b>2900</b>	<b>2900</b>	<b>2600</b>
<b>Bucket capacity (SAE)</b>	m <sup>3</sup>	<b>3.42</b>	<b>4.05</b>	<b>4.43</b>	<b>4.43</b>
A Max. digging reach	mm	13195	12670	11510	11250
B Max. digging reach (ground)	mm	12925	12390	11200	10935
C Max. digging depth	mm	8345	7725	6985	6685
D Max. loading height	mm	8405	8245	7140	7060
E Min. loading height	mm	3325	3975	3195	3495
F Max. digging height	mm	12120	11910	10760	10700
G Max. bucket pin height	mm	10525	10390	9260	9180
H Max. vertical wall depth	mm	4705	2455	3280	2960
I Max. radius vertical	mm	10935	11590	9850	9740
J Max. digging depth (8' level)	mm	8205	7565	6820	6515
K Min. radius (8' level)	mm	4490	4495	3740	3725
L Min. digging reach	mm	2285	2990	1920	2110
M Min. swing radius	mm	5730	5775	5240	5200
d Bucket angle	°	178.1	178.1	178.1	178.1

## DIGGING FORCES (ISO)

	Unit	One-piece boom			
	mm	7700		6650	
<b>Boom length</b>	mm				
<b>Arm length</b>	mm	<b>3550</b>	<b>2900</b>	<b>2900</b>	<b>2600</b>
<b>Bucket capacity (SAE)</b>	m <sup>3</sup>	<b>3.42</b>	<b>4.05</b>	<b>4.43</b>	<b>4.43</b>
BUCKET	ton	35.3	38.6	39.8	39.8
ARM	ton	29.3	33.6	34.3	36.6

# STANDARD AND OPTIONAL EQUIPMENT

● Standard ○ Optional

## Engine

---

- Perkins 2506J, Stage V compliant, SCR, and DOC and DPF post treatment
- Variable Turbo Charger and air-to-air intercooler
- Auto-idle function
- Auto shut-off

## Hydraulic system

---

- Boom and arm flow regeneration
- Swing anti-rebound valves
- Spare ports (valve)
- Flow and pressure adjustment for auxiliary lines from the cab
- One-touch power boost function
- Smart Power Control (SPC3)
- Cylinder cushioning & contamination seals
- Reversible fan
- 2 way auxiliary hydraulic line and breaker piping (pedal & joystick controlled)

## Cab & Interior

---

- Pressurised, sound-insulated and CabSus mounted cab
- Heated, adjustable air suspension seat with adjustable headrest and armrests
- Air conditioning with climate control
- Pull-up type front window with sun roller blind and removable lower front window
- Sliding left window
- Upper and lower windshield wipers
- Rain visor
- Rear window defroster switch
- Adjustable PPC wrist control levers for arm, boom, bucket and swing
- Travel pedals with hand levers
- Jog shuttle switch
- 8" color LCD touch-enabled gauge panel
- Attachment management system
- Engine speed (RPM) control dial
- Automatic travel speed
- 4 operating modes & 4 working modes
- Electric horn
- Ceiling light
- Cup holders
- Multiple storage compartments (e.g. document holder under seat)
- Storage area (tools, etc.)
- Hot and cool box
- Flat, spacious, easy-to-clean floor
- Anti-theft protection
- 12 V power socket and USB ports
- Serial communication port for laptop PC interface
- Remote radio ON/OFF switch
- Loudspeakers and connections for radio
- Integrated RADIO+MP3 (STEREO) with Bluetooth Streaming

## Safety

---

- Boom and arm cylinder safety valves
- Overload warning device
- Large guard rails on upper structure and steps
- Rotating beacon
- Around View Camera 360°
- Punched metal anti-slip plates
- Hydraulic safety lock lever
- Safety glass
- Hammer for emergency escape
- Right and left rear-view mirrors
- Lockable fuel cap and covers
- Battery cut-off switch
- Engine restart prevention system
- Parking brake
- Full pack of LED lights
- Emergency engine stop switch and hydraulic pump control switch
- Keyless start (Smart key)
- FOGS cab - top and front cab guards (ISO 10262)
- Front window upper and lower guards

## Other

---

- Boom: 7700 mm – arm: 3550 mm – counterweight: 10700 kg
- DEVELON Fleet Management Web Telematic system
- Auto shut-off fuel filler pump
- Double element air cleaner and pre-filtered Cyclone Turbo dust separator
- Fuel pre-filter with water separator sensor
- Dust screen for radiator/oil cooler
- 2 x Hydraulically-driven cooler fan
- Hydraulically-driven oil cooler fan
- Self-diagnostic function
- Alternator (28 V, 100 A) - Battery (2 × 12 V, 200 Ah)
- Hydrostatic 2-speed travel system with automatic shift
- Remote greasing for swing circle and work group pivot points
- Floating boom
- Automatic lubrication system
- Booms: 6650 mm
- Arms: 2600 mm, 2900 mm
- Heavy-duty bottom cover
- Develon buckets: full range of GP, HD & rock buckets
- Hydraulic piping for quick-coupler
- Additional filter for breaker piping
- Double pump flow
- Diesel heater
- Straight travel pedal
- Alarm for travel & swing

## Undercarriage

---

- Hydraulic and spring track adjusters
- Normal track guards
- Greased and sealed track links
- 650 mm double grouser shoe
- Full-length track guards
- 750 mm, 900 mm double grouser shoe

## JOB SITE MANAGEMENT

## WORK EFFICIENCY MANAGEMENT

## PREVENTIVE MAINTENANCE

## PROACTIVE SERVICE

### OPERATION TREND

Total operation hours and operation hours by mode

### FUEL EFFICIENCY\*

Fuel level and fuel consumption

### LOCATION

GPS and geo-fence

### REPORTS

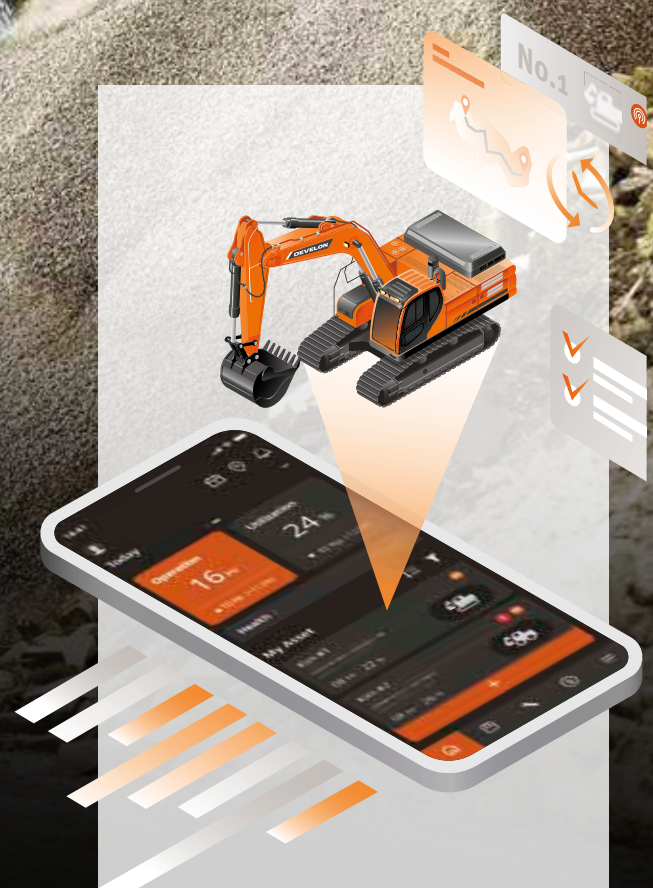
Operation report & utilization

### WARNING & ALERT

Detect machine warnings, antenna disconnection, and geo/time fence

### FILTER & OIL MANAGEMENT

Preventive maintenance by item replacement cycle



### TELEMATICS TERMINAL

Terminal device is installed and connected to a machine to capture machine data.

### TELECOMMUNICATION

Develon provides dual-mode (Mobile, Satellite) communication to maximize communication coverage.

### DEVELON FLEET MANAGEMENT WEB

Users can monitor machine status from Develon Fleet Management Web.

# OPTIONAL ATTACHMENTS

A wide range of attachments is available for your Develon excavator. Choosing our attachments ensures you'll have the maximum performance and tranquility of use.



**DEVELON H-CLASS BUCKETS  
(EARTH MOVING)**



**DEVELON G-CLASS BUCKETS  
(ECONOMY)**



**GRADING BUCKETS**



**DEVELON S-CLASS BUCKETS  
(SOFT ROCKS)**



**PIN-ON QUICK COUPLERS**



**DEVELON ORANGE PEEL GRAPPLES**



**DEVELON X-CLASS BUCKETS  
(ALL TYPES OF ROCKS)**



**DEVELON HB BREAKERS**



**DEVELON SORTING GRAPPLES**





# LIST OF ATTACHMENTS

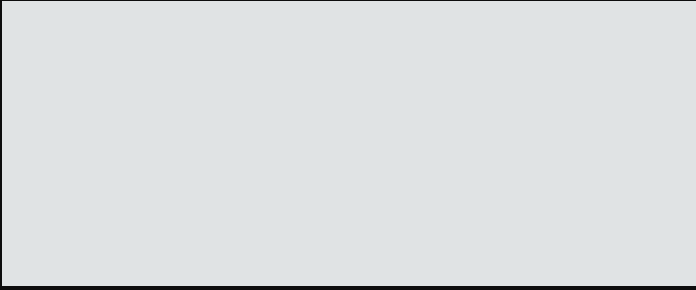
● Standard ○ Optional

## **DX800LC-7**

- Develon H-class bucket (earth moving), width 1920 mm, capacity 4.64 m<sup>3</sup>, 5 heavy duty teeth
- Develon H-class bucket (earth moving), width 1720 mm, capacity 3.42 m<sup>3</sup>, 5 heavy duty teeth
- Develon H-class bucket (earth moving), width 2350 mm, capacity 5.58 m<sup>3</sup>, 5 heavy duty teeth
- Develon H-class bucket (earth moving), width 2226 mm, capacity 5.24 m<sup>3</sup>, 5 heavy duty teeth
- Develon S-class bucket (soft rocks), width 1920 mm, capacity 4.64 m<sup>3</sup>, 6 severe duty teeth
- Develon S-class bucket (soft rocks), width 1620 mm, capacity 3.75 m<sup>3</sup>, 5 severe duty teeth
- Develon S-class bucket (soft rocks), width 1720 mm, capacity 4.05 m<sup>3</sup>, 5 severe duty teeth
- Develon S-class bucket (soft rocks), width 2226 mm, capacity 5.24 m<sup>3</sup>, 5 severe duty teeth
- Develon S-class bucket (soft rocks), width 2350 mm, capacity 5.58 m<sup>3</sup>, 5 severe duty teeth
- Develon X-class bucket (all types of rocks), width 1650 mm, capacity 3.75 m<sup>3</sup>, 5 severe duty teeth
- Develon X-class bucket (all types of rocks), width 1750 mm, capacity 4.05 m<sup>3</sup>, 4 severe duty teeth
- Develon X-class bucket (all types of rocks), width 1950 mm, capacity 4.64 m<sup>3</sup>, 5 severe duty teeth
- Develon X-class bucket (all types of rocks), width 2226 mm, capacity 5.24 m<sup>3</sup>, 5 severe duty teeth

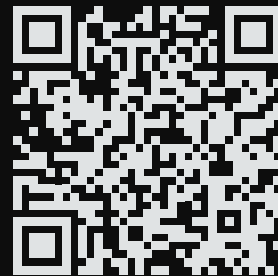






# Powered by Innovation

DISCOVER MORE:  
DX800LC-7



# DEVELON

HD Hyundai Infracore Europe s.r.o.  
IBC - Pobřežní 620/3, 186 00 Praha 8-Karlín  
Czech Republic

©2023 DEVELON D4600762-EN (08-23)

Certain specification(s) are based on engineering calculations and are not actual measurements. Specification(s) are provided for comparison purposes only and are subject to change without notice. Specification(s) for your individual Develon equipment will vary based on normal variations in design, manufacturing, operating conditions, and other factors. Pictures of Develon units may show other than standard equipment.