

## Demolition Excavators

# DX245DM-7

# DX380DM-7K

# DX530DM-7K

Maximum power	173 hp	327 hp	394 hp
Operating weight	30.7 t	47.5 t	60.5/70.5 t
Max. tool weight	1.8 - 2.0 t	3.0 t	2.6 - 3.0 t
Max. height at pin	18 m	23 m	27.5/31 m



# DEVELON

# DEVELON

**Continuous evolution,  
for better.**

---

We trace our roots to 1937 as one of Korea's first large-scale machine plants. During that time, we have consistently delivered earth-moving equipment to build critical infrastructure for the betterment of communities, societies and the wider world.

**We are  
Develon.**

Develon is a bold name that reflects our core ambition to continue developing onwards and leaving behind a positive footprint in our world. Moving forward, we will continue providing innovative products and solutions that advance the world we live in today.



# From Demolition to Reinvention

## Safety

Rear and side cameras and large side mirrors, powerful lighting, & anti-slip steps and platforms. Guard rails on upper structure. FOGS (Falling Object Guard Structure) cab with top and front cab guards (ISO 10262). Main protection for HRD boom piping are provided as standard.

## Tilting Cab

The 30° tilting cab provides better visibility and comfort and reduces fatigue during high elevation demolition work.

## Stability safety System

The tipping limit is calculated according to the attached tool. The system warns with alarm when approaching the safety limit, and stops the movement of cylinders when the limit is reached. Hydraulic movement limitation can be disabled within each countries regulations.

## Boom Joint System

The modular boom design and hydraulic lock mechanism provide customers with a complete, flexible solution that allows them to use the same excavator for applications on-site in addition to demolition. (1)

The quick hitch enables faster change-over from a High Reach Demolition boom to digging boom. (2)

## 360° All-around view camera (AVM) system

The 360° all-around view camera (AVM) system and standard from DX380DM-7K up gives you full view of the machine's surroundings.

## Comfort

One of the most spacious cabs in the market, with low noise & vibration levels and excellent all-round visibility. Fully adjustable heated air suspension seat, air conditioning with climate control.

## Advanced filtration

Highest efficiency filters & cleaners remove water, dust & particles to protect your investment optimally.

## Hydraulically Adjustable Track

Undercarriage fully retracted is :

- 2540 mm for DX245DM-7
- 2970 mm for DX380DM-7K/DX530DM-7K

## Controllability

Exclusive jog shuttle button, 4 work & 4 power modes, proportional control, user-friendly Develon Smart Touch screen 8" which integrates all functions and settings of your machine in one place.

## Additional counterweight

A boom extension and additional counterweight kit are available upon request.



## Keeping demolition works safe

Develon demolition excavators are powerful designed for power for 2 main reasons: the power to tear down the toughest structures, and the stability power to keep the operator completely safe.

### Tilting cab

Thanks to the tilting cab, the operator can maintain a comfortable posture and experience less fatigue during demolition work. Safety valves are located in the cab and behind it. In case of an emergency, the cab can be lowered by the operator or from outside the cab.

### Your safety is our priority

- FOGS: Protects the operator from falling or flying objects
- Rear and side view camera
- All round view monitor 360° for maximum safety in narrow environments
- Boom piping protections against debris falling are standard

### Hydraulically adjustable track (extended track)

- Unique heavy duty undercarriage for DX245DM-7 with 30 t components stays within 2.5 m width for transportation.
- Best stress distribution and durability thanks to the circular shape and self lubricated system.
- Widest undercarriage in the industry and squared base for best working diagram at 360°.

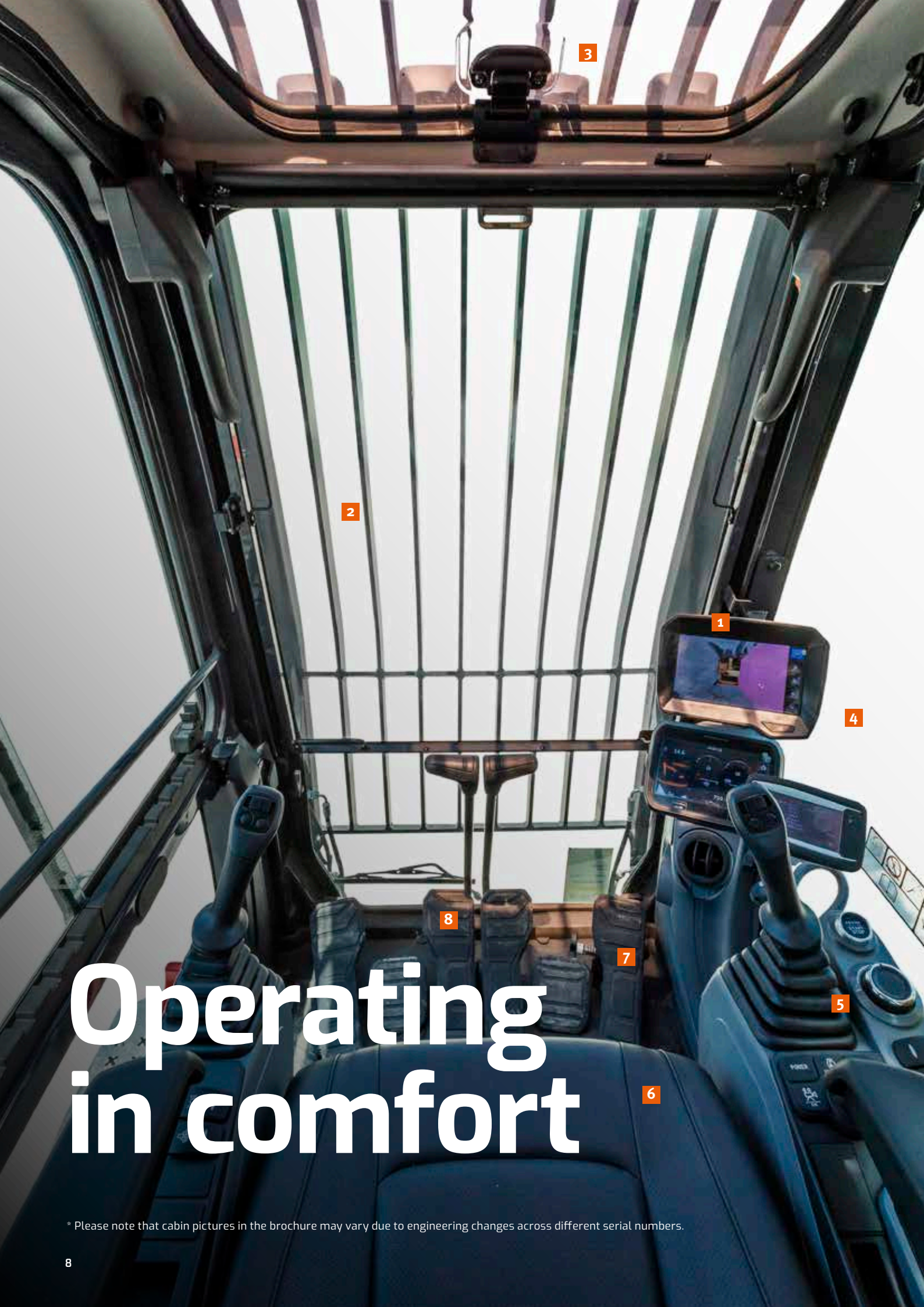
### Stability warning system

Thanks to 4 angle sensors and 1 pressure sensor calculates in real time the machine relative position with its tipping limit weight, even if working tool is changed and warns the operator safety by monitoring the exact position of the machine and the work tool. The system warns the operator when the safety limit is being approached; and the system stops the machine's operation when the limit is reached. Thanks to safety key behind the seat operator can disactivate the hydraulic block.





**With your  
safety in mind**



# Operating in comfort

\* Please note that cabin pictures in the brochure may vary due to engineering changes across different serial numbers.



1. Anti tipping system
2. FOGS
3. Large sun roof
4. Improved visibility on the bottom right
5. Joysticks and switches integrated in adjustable control consoles
6. Separate seat height adjustment lever and cushion tilting function
7. Pedal for auxiliary control 1 & 2 ways, rotation line and drainage line
8. Straight ergonomic pedals

## The ideal workspace – designed around you

The DX245DM-7, DX380DM-7K and DX530DM-7K models are designed to provide you with the best possible working conditions. The pressurised cab is ISO-certified for your safety. Its spacious interior offers a fully adjustable, heated air suspension seat. Comfortably seated, you have easy access to several storage compartments and a clear all-round view of the worksite. Compared to previous generations noise and vibration levels have been reduced, while air conditioning and automatic climate control allow you to keep working for hours on end without feeling tired.

### Best-in-class operator environment

Develon Crawler Excavators are powered by industry-leading engines that save on fuel and meet the latest Stage V European regulations in addition to all noise regulations. The low levels of cab vibration and noise provide exceptional operator comfort – and the cab air is filtered to ensure a healthy work environment.

### Auxiliary lines

1/2 ways lines, rotation line and drainage line are all standard for maximum comfort when operating attachments. Operator can easily set his preference in the control panel to operate with the rollers on joystick or with the pedal.

### Heated air suspension seat (standard)

In addition to being adjustable and providing lumbar support, the seat has an air suspension system to reduce vibrations and a heating system. It also features a cooling seat system available. A storage box has been placed under the seat for extra convenience.

### Air conditioning with climate control

The operator can choose from 5 different modes to regulate the airflow, while the system adjusts the air temperature & fan speed to maintain the operator's selected temperature. A recirculated air function is also available.

### Develon Smart Touch screen

Extremely easy to read and use, the 8" touch screen integrates all functions and settings of your machine, including hands-free phone system.

### Storage space

The new cab contains 7 storage compartments including one hot/cool box (linked to the HVAC system).

### CabSus mount

The cab's new suspension system (CabSus mount) dampens high vibrations and provides outstanding protection against impact. The system absorbs shocks and vibrations much more effectively than a conventional viscous suspension system.



# Long-Term Strength, Multi-purpose



### Extra-strong X chassis

Designed using finite element analysis and 3D computer simulation, the X-shaped undercarriage ensures optimum structural integrity and durability.

### Undercarriage durability

- The chain is composed of sealed, self-lubricating links for long-term dependability. For improved protection, alignment and performance, there are 3 types of guard available: normal, double and full-length, according to the application.
- The track spring and idler are joined for long-lasting performance and easy maintenance.
- Cast steel heavy-duty sprockets guarantee the highest resistance.
- The track rollers are lubricated for life.

### Strengthened boom and arm

During the development of our machines, we use intensive testing to calculate the best load distribution throughout the boom structure. Combined with thicker material, this means that element fatigue is limited and both reliability and component life are increased. To better protect the base of the arm, reinforced bars have been added and the arm center and end boss have been strengthened.

### Advanced filtration

- Fuel filters and water separator: a filter-type high-performance water separator effectively captures moisture in the fuel, reducing impurities and helping minimize any fuel-related issues. Pre-filters and dual main filters as standard achieve a high degree of purity that minimizes fuel system failures.
- Cyclonic air pre cleaner: air filter life and engine efficiency are directly related to the amount of debris ingested through the engine's air intake. Therefore, a cyclonic air pre-cleaner is the first stage of an air intake system that prevents the majority of heavier-than-air particles from entering. Self-cleaning and maintenance-free, the system is able to expel all types of mixed debris, including dust, snow, rain, leaves, sawdust, straw, etc.

### Advanced pin and bushing technology

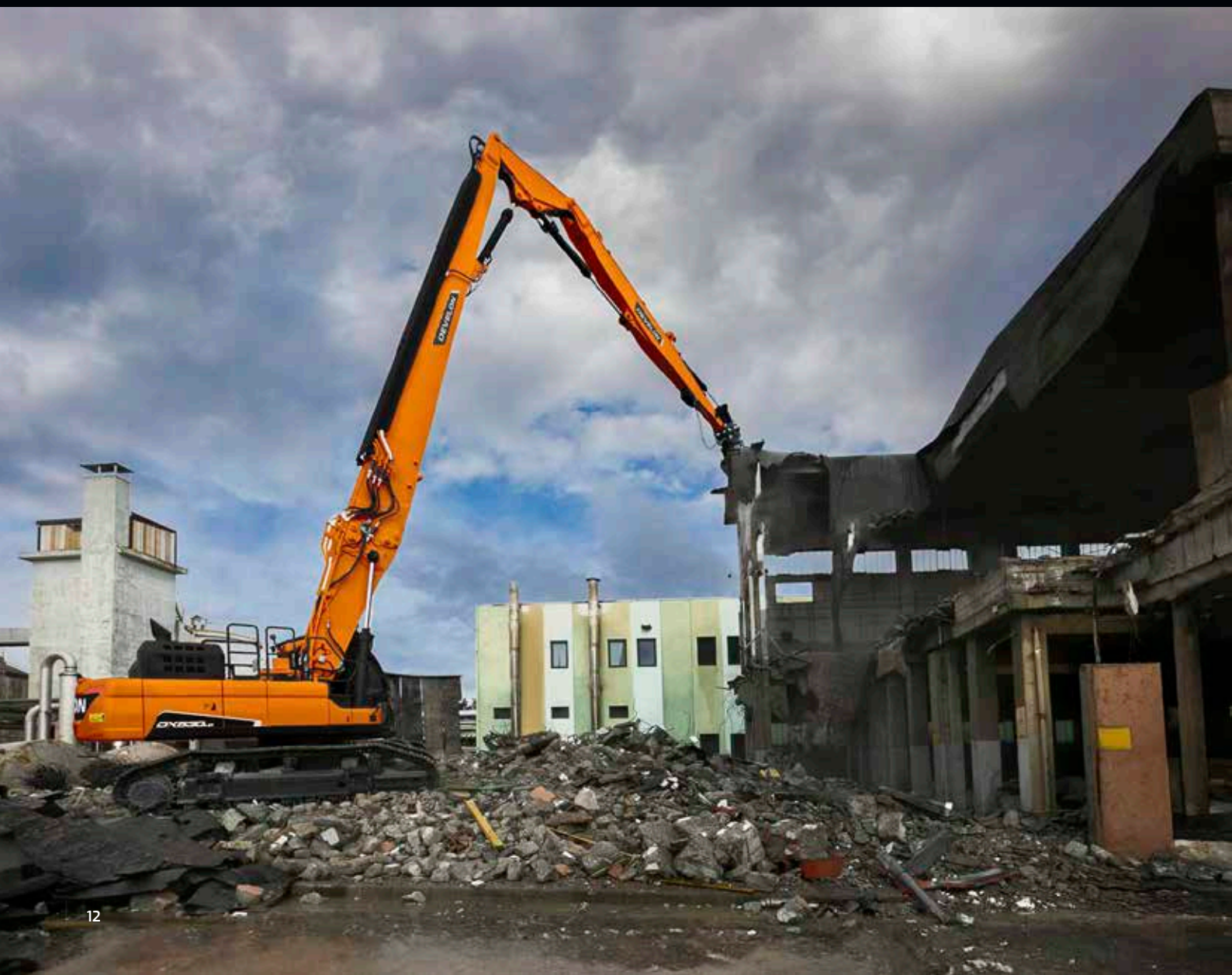
Highly lubricated metal is used for the boom pivot to increase the component's lifetime and lengthen greasing intervals. The bucket pivot features EM (Enhanced Macrosurface) bushings. These have a tailored surface pattern and self-lubricating coating for optimized greasing interval (every 250 hours, 50 hours for bucket pins) and more efficient debris removal. Ultra-hard wear-resistant discs and bucket pivot polymer shims increase durability even more.

## Interchangeable arms

Interchangeable arms for each of our demolition range gives the customer a wide range of possibilities.

The interlink on the base boom allows to mount various kinds of arms such as long reach, extension, digging (straight / bent) and demolition.

Develon Fleet Management > Management on  
the job site > Work efficiency management >  
Preventive management > Proactive service



# Monitor your equipment from anywhere

To compete and succeed, your equipment needs to maximize job site productivity and the bottom line. Develon machines do both. To ensure a high return on investment, we add more premium features as standard equipment on every model. Our standard features are often options that other manufacturers only provide at extra cost. By including them as standard, Develon gives you a competitive edge — helping operators work more efficiently and improving safety during long days on the field.

## > Telematics terminal

Terminal device is installed and connected to a machine to capture machine data.

## > Telecommunication

Develon provides dual-mode (Mobile, Satellite) communication to maximize communication coverage.

## > Develon Fleet Management WEB

Users can monitor machine status from Develon Fleet Management Web.

---

Operation trend	Total operation hours and operation hours by mode.
Fuel efficiency*	Fuel level and fuel consumption
Reports & Location	Operation report & utilization. GSP and geo-fence.
Warning & Alert	Detect machine warnings, antenna disconnection, and geo/time fence
Filter & Oil management	Preventive maintenance by item replacement cycle.

---



# Attachments

Attachments bring added versatility to the job and are built to Develon machine specifications for superior reliability and performance.

---

## Fixed Pulverizer



Designed to enhance power and durability through state-of-the-art technology. Fixed Pulverizers are engineered for primary demolition work, secondary concrete reduction, and material sorting.

---

## Rotating Crusher



With its wider jaw, exceptional closing force, and short cycle times, it provides excellent productivity in concrete reduction and reinforced steel separation. It ensures maximum job performance efficiency, with fast and effortless replacement of teeth enabling high productivity and increased durability.

---

## Multi-Processor



Typically, multiprocessors feature interchangeable jaw sets mounted on a single base unit, including:  
A. Crushing jaws,  
B. Demolition jaws,  
C. Pulverizing jaws,  
D. Universal jaws, and  
E. Shearing jaws.

---

## Multi-Grapple



It is also known as rib type due to its skeletal structure. Mainly designed for selective demolition, sorting of recyclable materials, and loading various materials. It can be mounted pretty much in all ranges of the machines.

---

## Quick Coupler



Quick Couplers act as a bridge between the machine and the application to which they are needed. Basically, 90% of attachments are mounted using the QC. Quick couplers come in various types, with the main differentiation being hydraulic and mechanical. They enhance the flexibility of the machine.

---





# The widest undercarriage in the industry

## Hydraulically adjustable track (extended track)

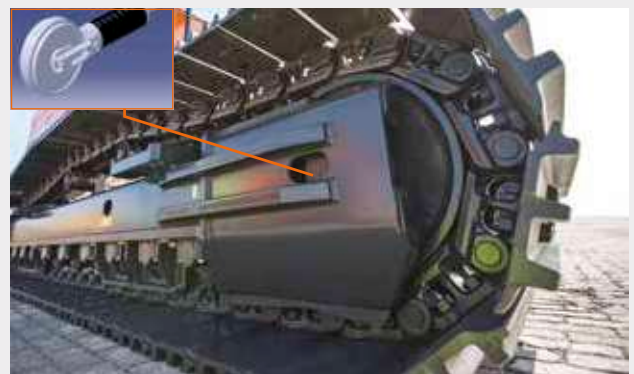
- Unique heavy duty undercarriage for DX245DM-7 with 30 t components stays within 2.5 m width for transportation.
- Best stress distribution and durability thanks to the circular shape and self lubricated system.
- Widest undercarriage in the industry and squared base for best working diagram at 360°.

## Track guards

To provide better protection, track alignment, and performance of machine while travelling. Double guards per track as standard for DX245DM-7 and DX380DM-7K and Triple guards for DX530DM-7K (full length track guard available). These various track guards provide you with optimal solutions for your extreme applications.



Complete Lubrication for the centred rollers



Spring Adjuster along with the idler which are wheel-shaped and usually quite sizable. They work with the tensioner in the undercarriage to ensure adequate tension of the track to prevent the track from falling off. This ensures that the track chain stays aligned during movement across rough and challenging terrain.

# DEVELON

## TECHNICAL SPECIFICATIONS

# DX245DM-7 DX380DM-7K DX530DM-7K



### Engine

	DX245DM-7	DX380DM-7K	DX530DM-7K
Model	Develon DL06P	Scania DC09	Scania DC13
No. of cylinders	6	5	6
Max. power (SAE J1995)	129 kW/173 hp at 1800 rpm	240 kW/327 hp at 1800 rpm	294 kW/394 hp at 1800 rpm
Net. power (SAE J1349)	121 kW/162 hp at 1800 rpm	236 kW/321 hp at 1800 rpm	289 kW/387.6 hp at 1800 rpm
Max. torque (SAE J1995)	755 Nm at 1400 rpm	1348 Nm at 1200 rpm	1861 Nm at 1300 rpm
Idle (low - high)	800 [±10] - 1900 [±25] rpm	800 [±20] - 1900 [±25] rpm	750 [±20] - 1900 [±25] rpm
Displacement	5.89 l	9.3 l	12.7 l
Bore × stroke	100 × 125 mm	130 × 140 mm	130 × 160 mm
Starter	24 V - 6 kW		
Batteries - Alternator	2 × 12 V, 100 Ah - 24 V, 100 A		
Air filter	Double element air cleaner and pre-filtered Cup dust separator	Double element air cleaner and pre-filtered Cyclone Turbo dust separator	

### Hydraulics

Main pumps, type	2 × variable displacement tandem axial piston pumps		
Maximum flow at 1800 rpm	2 × 210 l/min	2 × 350 l/min	2 × 390 l/min
Pilot pump, type	Gear pump		
Maximum flow at 1800 rpm	27 l/min	24.12 l/min	24.12 l/min
Relief valve settings:			
Implement	350/370 kg/cm <sup>2</sup>	380 kg/cm <sup>2</sup>	370 kg/cm <sup>2</sup>
Travel	370 kg/cm <sup>2</sup>	343 kg/cm <sup>2</sup>	350 kg/cm <sup>2</sup>
Swing	300 kg/cm <sup>2</sup>	294 kg/cm <sup>2</sup>	300 kg/cm <sup>2</sup>
Pilot	40 kg/cm <sup>2</sup>	40 kg/cm <sup>2</sup>	40.8 kg/cm <sup>2</sup>

### Undercarriage

	DX245DM-7	DX380DM-7K	DX530DM-7K
Upper rollers (standard shoe)	2	2	3
Lower rollers	7	9	9
Number of links & shoes per side	44	50	53
Link pitch	216 mm		215.9 mm

### Swing mechanism

Max. swing speed	11.4 rpm	9.90 rpm	9.2 rpm
Max. swing torque	9334 kgf·m	14830 kgf·m	20130 kgf·m

### Drive

Travel speed (low - high)	3.0 - 5.3 km/h	3.0 - 5.4 km/h	3.2 - 5.6 km/h
Max. traction	31.1 t	43.4 t	45.7 t
Max. gradeability	35° / 70%		

### Fluid capacities

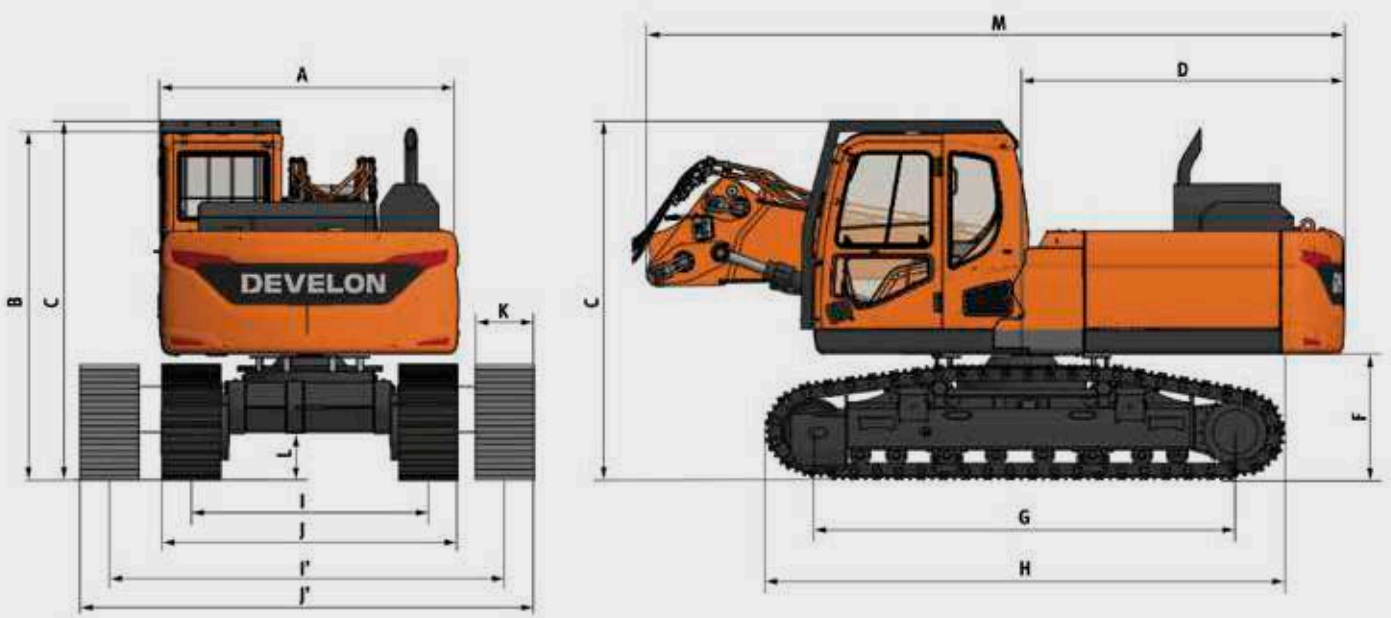
Fuel tank	339 l	600 l	685 l
Cooling system (radiator)	30.7 l	49.5 l	90 l
Urea (def) tank	31.5 l	70 l	70 l
Hydraulic oil tank	200 l	380 l	390 l
Engine oil	27 l	36 l	45 l
Swing drive	5 l	8 l	2 × 5 l
Travel device	2 × 4 l	2 × 7 l	2 × 10 l

# Dimensions

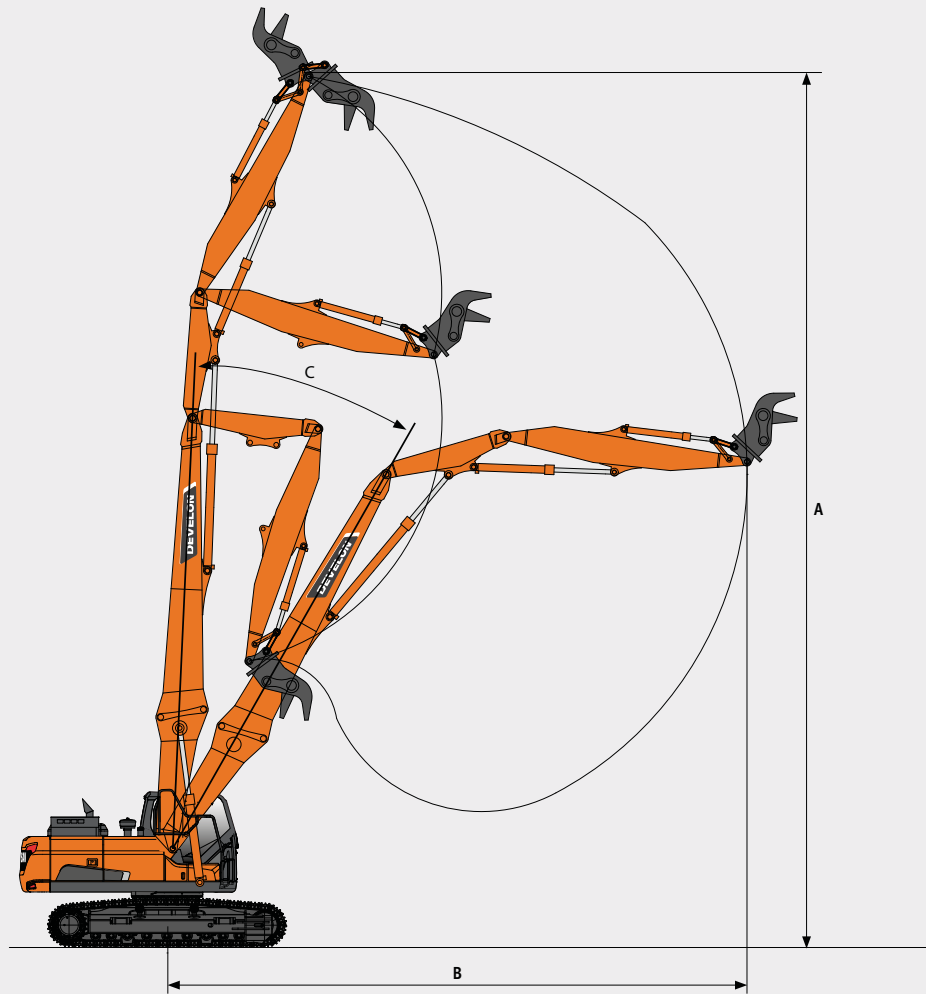
## Dimensions & Weight – Base machine

	Unit	DX245DM-7	DX380DM-7K	DX530DM-7K	
<b>A</b>	Width superstructure	mm	2545	2990	
<b>B</b>	Overall height	mm	2190	3210	
<b>C</b>	Overall height (incl. FOGS)	mm	3150	3400	
<b>D</b>	Tail swing radius	mm	2815	3530	
<b>F</b>	Minimum counterweight clearance*	mm	1180	1280	
<b>G</b>	Tumbler length	mm	3650	4250	
<b>H</b>	Track length	mm	4456	5200	
<b>I</b>	Track gauge (retracted)	mm	1990	2370	
<b>I'</b>	Track gauge (extended)	mm	3190	3770	
<b>J</b>	Track width (retracted)	mm	2540	2970	
<b>J'</b>	Track width (extended)	mm	3740	4370	
<b>K</b>	Shoe width	mm	500	600	
<b>L</b>	Minimum ground clearance*	mm	490	600	
<b>M</b>	Overall length (without arm)	mm	5960	7000	
	Base machine weight	kg	26100	40500	43000 +11000 CWT

\* with shoe grouser



# Demolition Configuration (HRD)



## Demolition Configuration (HRD)

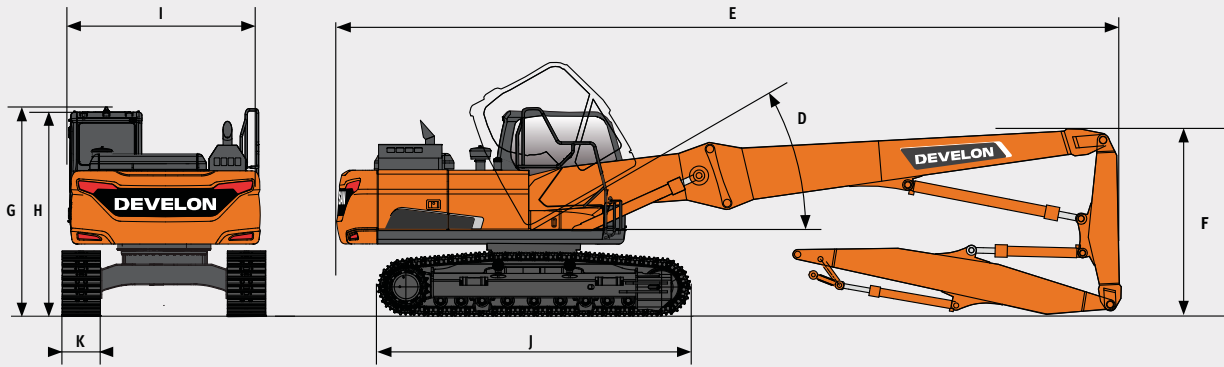
	Unit	DX245DM-7	DX380DM-7K	DX530DM-7K
Max tool weight	kg	2000	3000	3000
Variable undercarriage width	mm	2540 - 3740	2970 - 4370	2970 - 4370

## Working Range (HRD)

	Unit	DX245DM-7	DX380DM-7K	DX530DM-7K
<b>A</b> Maximum height at pin	mm	18031	23030	31088
<b>B</b> Maximum reach at pin*	mm	11810	14140	17980
<b>C</b> Maximum height (2:1 line)	mm	16400	19000	26805

\* the maximum reach values refer to 360°

# Dimensions



## Transport Dimensions & Weights

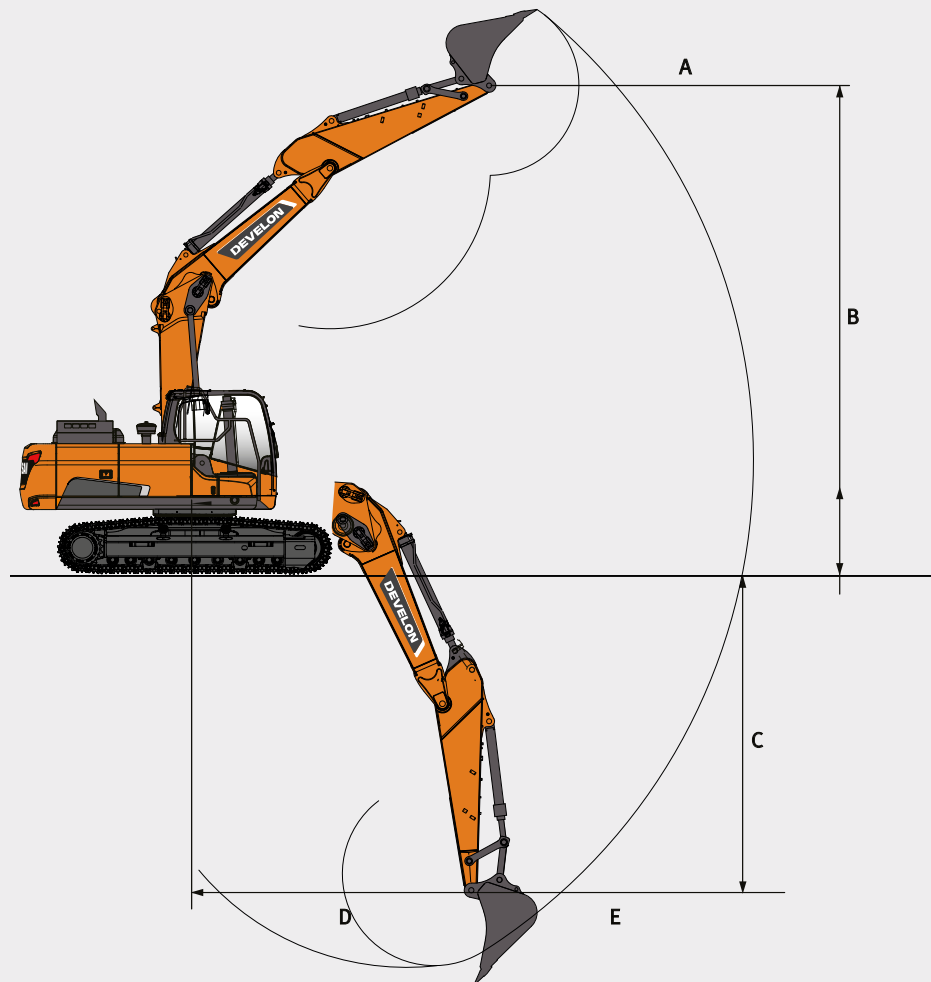
		Unit	DX245DM-7	DX380DM-7K	DX530DM-7K
<b>D</b>	Cab tilting angle	°	30	30	30
<b>E</b>	Overall length (incl. High Reach Demolition boom)	mm	11460	15200	22300
<b>F</b>	Overall height (incl. High Reach Demolition boom)	mm	3070	3100	3100
<b>G</b>	Maximum height with protection grid (FOGS)	mm	3150	3150	3360
<b>H</b>	Cab height	mm	2960	3150	3275
<b>I</b>	Transport width	mm	2540	2970	2990
<b>J</b>	Track length	mm	4456	5200	5999
<b>K</b>	Shoe width	mm	550	600	600
	Weight of boom extension	kg	-	2000 (opt)	4000
	Additional counterweight	kg	-	2000 (opt)	3000
	Weight	kg	30700	47500	70500



## Dimensions & Weight – HRD

		Unit	DX245DM-7	DX380DM-7K	DX530DM-7K
<b>A</b>	Overall length	mm	6390	9000	12500
<b>B</b>	Overall height	mm	3050	3080	3100
<b>C</b>	Length of storage rack	mm	1800	2600	1800
<b>D</b>	Width of storage rack	mm	2160	2200	2160
	Weight of storage rack	kg	100	100	200
	Weight of HRD boom with storage rack	kg	4700	7100	9700

# Digging Configuration



## Digging Configuration

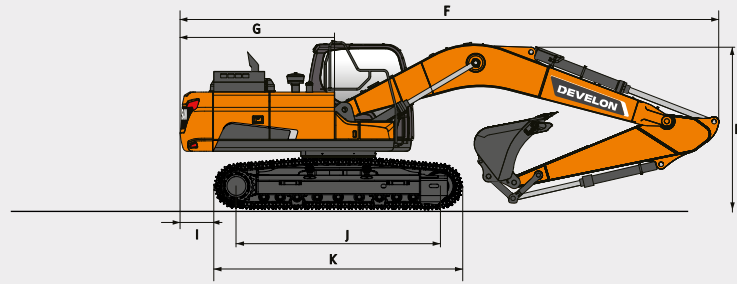
	Unit	DX245DM-7	DX380DM-7K	DX530DM-7K
Arm length	mm	2400	3200	3350
Maximum bucket capacity	m <sup>3</sup>	1.0	2.32	2.86

\* additional counterweight included

## Working Range (at pin)

	Unit	DX245DM-7		DX380DM-7K		DX530DM-7K	
		Straight	Bent	Straight	Bent	Straight	Bent
<b>A</b> Max. digging height	mm	9800	7910	10120	9155	14650	11960
<b>C</b> Max. digging depth	mm	4070	4880	4320	5500	5310	6330
<b>D</b> Max. digging reach at ground level	mm	8500	7865	9920	9145	13330	12040
<b>E</b> Max. digging reach	mm	8690	8560	10110	9400	13560	12045

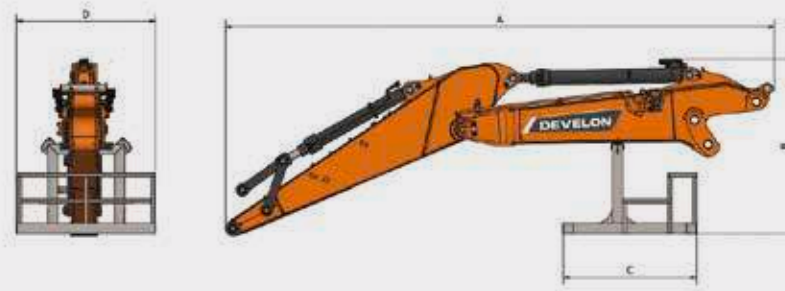
# Dimensions



## Dimensions & Weight – Base machine

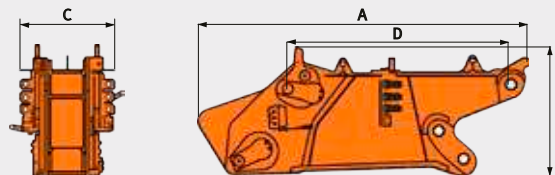
	Unit	DX245DM-7	DX380DM-7K	DX530DM-7K
<b>F</b> Overall length	mm	9590	11285	12230
<b>G</b> Tail swing radius	mm	2815	3530	3800
<b>H</b> Boom height	mm	3110	3415	3705
<b>J</b> Tumbler center distance	mm	3610	4250	4922
<b>K</b> Undercarriage length	mm	4456	5200	5999
Weight	kg	28800	44900	59800/66800 *

\* with 4 t base boom extension and 3 t additional CTW



## Transport Dimensions & Weight – Work equipment

	Unit	DX245DM-7	DX380DM-7K	DX530DM-7K
<b>A</b> Overall length	mm	6390	7200	7500
<b>B</b> Overall height	mm	2030	2600	2850
<b>C</b> Length of storage rack	mm	1560	1560	1560
<b>D</b> Width of storage rack	mm	1620	1620	1620
Weight of digging boom with storage rack	kg	2800	4500	6000



## 2 m extension possibility

	Unit	DX380DM-7K (2 m)	DX380DM-7K (4 m)	DX530DM-7K (2.5 m)	DX530DM-7K (3.5 m)
<b>A</b> Length of the extension arm	mm	2754	4742	2754	3450
<b>B</b> Height of the extension arm	mm	1240	1234	1240	1234
<b>C</b> Width of the extension arm	mm	888	841	888	841
<b>D</b> Pin to Pin	mm	2000	4000	2000	3500
Weight of the extension arm	mm	1300	2400	1300	2634

# Standard & Optional equipment

## Standard

Auto-idle function	•	12 V spare power socket	•
Auto shut-off	•	Serial communication port for laptop PC interface	•
Hydraulic system	•	Remote radio ON/OFF switch	•
Boom and arm flow regeneration	•	Radio with Bluetooth streaming and handsfree call system	•
Swing anti-rebound valves	•	Tilting cabin	•
Fine swing mode, on or off from cab	•	360° all-around view camera (AVM) for DX380DM-7K and DX530DM-7K	•
Spare ports (valve)	•	FOPS cab – top and front cab guards (ISO 10262)	•
One-touch power boost function	•	Stability safety system with graphical display, warning buzzer and movements limitation	•
Smart Power Control (SPC)	•	Boom and arm cylinder safety valves	•
One & two way auxiliary hydraulic line for opening & closing of tool (with pedal & joystick control)	•	Overload warning device	•
Cylinder cushioning & contamination seals	•	Quick hitch for base boom pin to front attachment	•
Control of auxiliary hydraulic flow and pressure from the display panel	•	Piping protection for High Reach Demolition booms and arm	•
Pressurised, sound-insulated and CabSus mounted cab	•	Large hand rails on upper structure and steps	•
Heated, adjustable air suspension seat with adjustable headrest and armrest	•	Rotating beacon	•
Air conditioning with climate control	•	Rear and side view camera	•
Pull-up type front window with sun roller blind and removable lower front window	•	Punched metal anti-slip plates	•
Sliding left window	•	Hydraulic safety lock lever	•
Intermittent upper and lower windshield wiper	•	Safety glass	•
Rain visor	•	Glass Hammer for emergency escape	•
Rear window defroster switch	•	Right and left rear-view mirrors	•
Adjustable PPC wrist control levers for arm, boom, bucket and swing	•	Lockable fuel cap and covers	•
Joysticks and pedal provide proportional control of auxiliary lines for attachments	•	Battery cut-off switch	•
Travel pedals and hand levers	•	Engine restart prevention system	•
Jog shuttle switch	•	Parking brake	•
Develon Smart Touch – 8" touch screen, all-in-one	•	LED 10 work lights (2 boom, 4 cabin roof, 2 lower frame, 2 upper frame), for other models one additional upper frame LED light	•
Attachment management system	•	Emergency engine stop switch and hydraulic pump control switch	•
Engine speed (RPM) control dial	•	Falling FOGS and OPG – top and front cab guards (ISO 10262 level II and SAE J1356" for DX245 and DX380DM-7K)	•
Automatic travel speed (slow / fast)	•	Nickel treated undercarriage extension hydraulic cylinders	•
4 operating modes & 4 working modes	•	DX245DM-7: Hydraulically adjustable undercarriage: 2.54 m to 3.74 m	•
Cup holder	•	DX530DM-7K & DX380DM-7K: Hydraulically adjustable undercarriage: 2.97 m to 4.37 m	•
Multiple storage compartments (e.g. document holder under seat)	•	Greased and sealed track links	•
Storage area (tools, etc.)	•	DX245DM-7: 550 mm HD 12 mm triple grouser shoes	•
Heating and cooling lunch box	•	DX530DM-7K & DX380DM-7K: 600 mm triple grouser shoes	•
Flat, spacious, easy-to-clean floor	•	DX245DM-7: 18 m High Reach Demolition front	•
Keyless start (Develon Smart Key) & remote door lock/unlock	•		
Anti-theft protection (from control panel)	•		



DX245DM-7: Digging front: 5700 mm boom, 2400 mm arm	▪
DX380DM-7K: 23 m High Reach Demolition front	▪
DX380DM-7K: Digging front: 6500 mm boom, 3200 mm arm	▪
DX530DM-7K: Digging front: 7100 mm boom, 3350 mm arm	▪
DEVELON Fleet Management (telematic system)	▪
Auto shut-off fuel filler pump	▪
Fuel pre-filter with water separator sensor	▪
Dust screen for radiator/oil cooler	▪
Self-diagnostic function	▪
Base boom extension 3.5 m for DX530DM-7K (quick coupling pin) (31m pin height)	▪
Hydrostatic 2-speed travel system with automatic shift	▪
Remote greasing for swing circle and work group pivot points	▪
Hydraulic piping for crusher, quick-coupler, clamshell, tilting and rotating buckets	▪
Double pump flow	▪

## Optional

Tilttable falling FOPS and OPG – top and front cab guards (ISO 10262 level II and SAE J1356) (standard for DX530DM-7K, optional for DX245DM-7 and DX380DM-7K)	▪
Protection guards for demolition arm cylinder	▪
Protection guards for digging arm cylinder	▪
Bullet proof front and upper window + specific curved upper wiper	▪
Protection for nickel treated undercarriage extension	▪
Track scraper	▪
Track locking kit to lock undercarriage extension at desired width (20 – 40 – 60 cm)	▪
2 t counterweight for DX380DM-7K	▪
1 t counterweight for DX245DM-7	▪
DX530DM-7K: 27.5 m High Reach Demolition front	▪
DX530DM-7K: 31 m High Reach Demolition front	▪
Air compressor 24 V, 15 l	▪
Water spray system, 3 nozzles, 30 l	▪
Base boom extension 2 m, digging/demolition arms and transportation cage + 2t additional counterweight for DX380DM-7K (manual pins or quick coupling on request)	▪
Auto greasing system	▪
Bucket Cylinder Guard	▪
Color customization (One color)	▪
Camera Kit on HRD boom	▪
Bullet Proof Glasses	▪
Reversible Fan Pneumatic System	▪
Led lights on Demolition Boom	▪
Pressurized Air Cab Filter	▪



# Develon Warranty

## Your key to equipment protection and peace on mind

Unlock unparalleled protection for your heavy construction equipment with Develon. Our robust warranties and premium protection plans ensure your investment is safeguarded and adds lasting value.

### **Tailored warranty plans**

Choose from a range of affordable protection plans, designed exclusively for Develon customers through our authorized dealers. These plans turn your machine's price into a strategic investment, not just an expense.

### **Develon Premium: Premium protection**

Opt for Develon Premium to experience unmatched security, reliability, and overall value. This top-tier plan shields your equipment from unexpected costs and minimizes downtime, letting you focus on what matters – getting the job done\*.

### **Act now!**

Contact our authorized Develon Dealers today and fortify your equipment investment. With a seamless process and lasting benefits, Develon ensures your heavy construction equipment remains in peak condition.

**Choose Develon Extended Warranty:  
Play safe and secure your investments.**

# Powered by Innovation

# DEVELON

Space for dealer's stamp



HD Hyundai Infracore Europe s.r.o.  
IBC – Pobrezni 620/3,  
18600 Praha 8 – Karlín, Czechia

©2024 HD Hyundai Infracore. All rights reserved.  
D4600901-EN (05-24)

Certain specification(s) are based on engineering calculations and are not actual measurements. Specification(s) are provided for comparison purposes only and are subject to change without notice. Specification(s) for your individual Develon equipment will vary based on normal variations in design, manufacturing, operating conditions, and other factors. Pictures of Develon units may show other than standard equipment.